

**ShinMaywa**

# **Submersible Pumps**

**(Non-Clogging Type with Built-in Chopper) CJ Series**



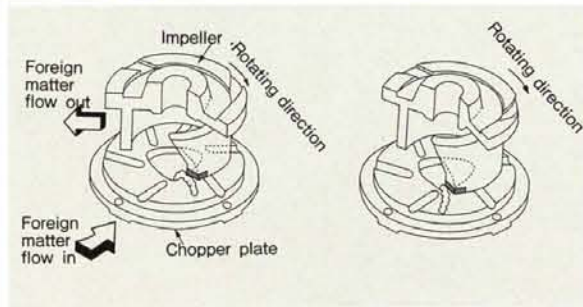
# Pumps with Built-in Chopper

The CJ series has a built-in chopper for 'chopping' foreign matter which can cause the pump to be clogged or tangled.

## Uses

- For treating raw water at combination treatment plants
- For use with drainage and sanitary equipment of buildings

## Chopper Mechanism



The chopper mechanism consists of a grooved chopper plate (bottom cover) and cutter chip impeller. The foreign matter will be cut as shown in the above illustration.



## CJ Series



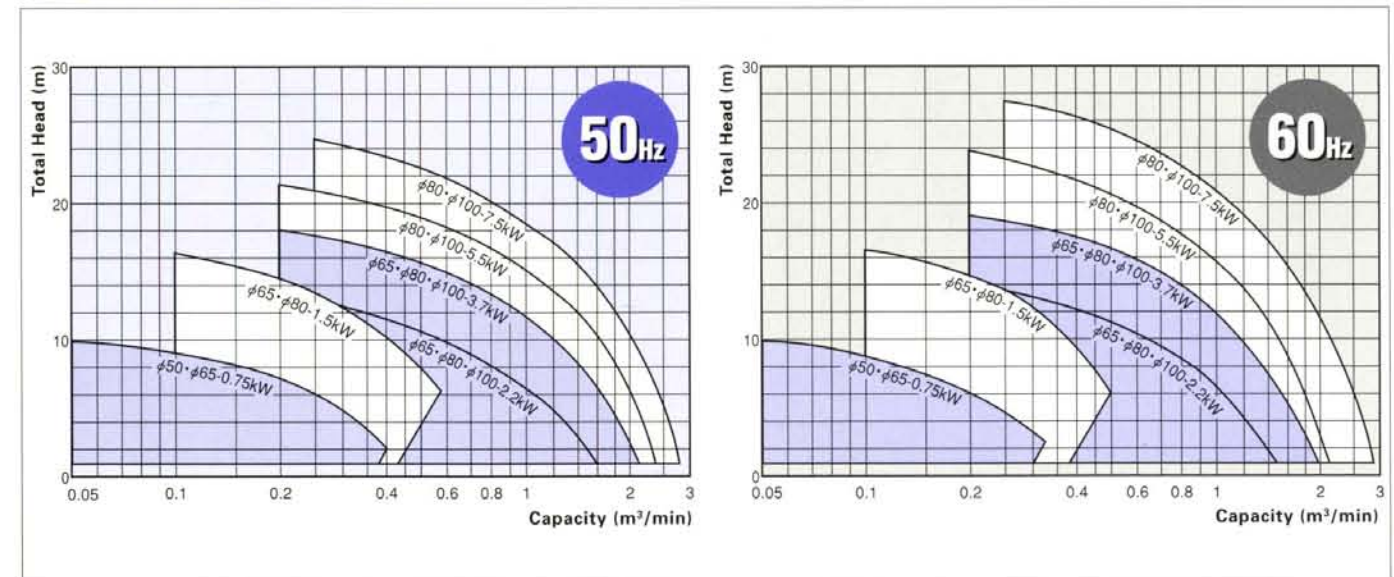
Bore  
50 ~ 100mm  
Output  
0.75 ~ 7.5kW  
Phase  
3ph

## Standard Specifications

Bore mm	Pump Model	Connection Part No.		Output kW	Pole	Capacity-Total Head m <sup>3</sup> /min		Impeller Passage Size mm×mm		Weight (Bare Pump) kg
		Automatic Connection	Flange Connection			50Hz	60Hz	50Hz	60Hz	
50	CJ501	P50	F50	0.75	2	[1] 0.2 - 7.2	[2] 0.2 - 6.1	41×37	41×31	19.5
						[3] 0.15 - 5.1	[4] 0.15 - 4.9	36×31	36×24	
65	CJ501	P65B	F65B	0.75	2	[1] 0.2 - 7.2	[2] 0.2 - 6.1	41×37	41×31	19.5
						[3] 0.15 - 5.1	[4] 0.15 - 4.9	36×31	36×24	
	CJ651	P65	F65	1.5	4	0.4 - 10.2	0.4 - 9.3	43×41	43×36	29
				2.2		0.8 - 8.2	0.8 - 8.5	54×60	53×60	58
80	CJ80	P80B	F80	3.7	4	1.0 - 11.7	1.0 - 11.8	53×60	54×60	70
				5.5		1.2 - 13.6	1.2 - 13.6	61×60	53×60	95
	CJ100	7.5	1.4 - 15.6	1.4 - 17.4	67×60	60×60	108			
		2.2	0.8 - 8.2	0.8 - 8.5	54×60	53×60	58			
		3.7	1.0 - 11.7	1.0 - 11.8	53×60	54×60	70			
100	CJ80	P100B	F100	5.5	4	1.2 - 13.6	1.2 - 13.6	61×60	53×60	95
				7.5		1.4 - 15.6	1.4 - 17.4	67×60	60×60	108
	CJ100	2.2	0.8 - 8.2	0.8 - 8.5	54×60	53×60	58			
		3.7	1.0 - 11.7	1.0 - 11.8	53×60	54×60	70			

\*The starting method is 'direct-on-line start.' (Note)Specify both pump model and connection part No. to contact the dealer. \*Figures in brackets indicate code number of impellers.

## Performance Curves



## Main Specification

Handling Liquid	Kind of Liquid	Waste Water and Sewage including Sludge
Material	Cable	VCT
	Motor Shaft	SUS 420J2
	Pump Casing	Gray Cast Iron (FC200)
	Impeller	Gray Cast Iron (FC200)
Electric Motor	Type	Dry-type Submersible Induction Motor
	Insulation Class	Class E
	Enclosure	IP68
	Phase	Three Phase
	Voltage	According to the specifications

## Special Specification

Cable Extension	Length of Cable 15-20-30m	
Material Change	Impeller	stainless steel casting or According to the specifications
	Base Cover	
	Lifting Chain	stainless steel (SUS304)
Motor Protector	Micro-Thermal Protector Moisture Detector	
Insulation Class	Class F	

## Standard Accessories

- Power Cable ..... 1  
6m for 0.75kW / 8m for 1.5kW~7.5kW

## Automatic Connection Set

- Connection
- Sliding bracket
- Guide holder (with bolts and nuts)
- Pump lifting chain (6m)

Bore mm	Connection Part No.	Set Weight kg	Connection Weight kg
50	P50	11	4.5
	P65B	20	14.5
65	P65	24	15
	P80	31.5	20.5
80	P80B	31.5	18
	P100B	40.5	27

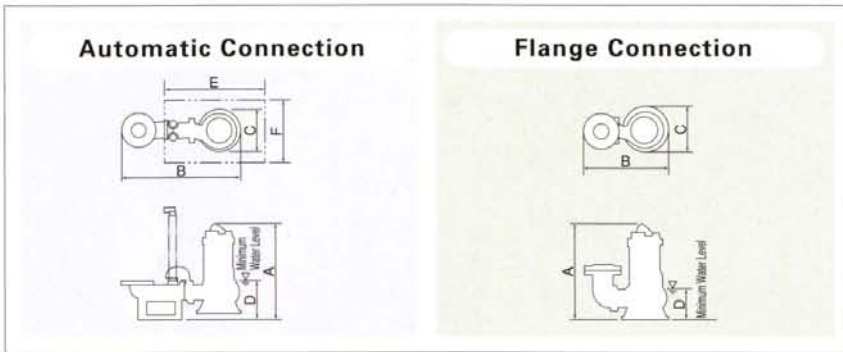
## Flange Connection set

- Discharge side flange
- Companion flange (with bolts, nuts and packing)

Bore mm	Connection Part No.	Set Weight kg
50	F50	☆
65	F65B	5.5
	F65	7
80	F80	9.5
100	F100	11

☆Built-in with the pump proper.

## Dimensions



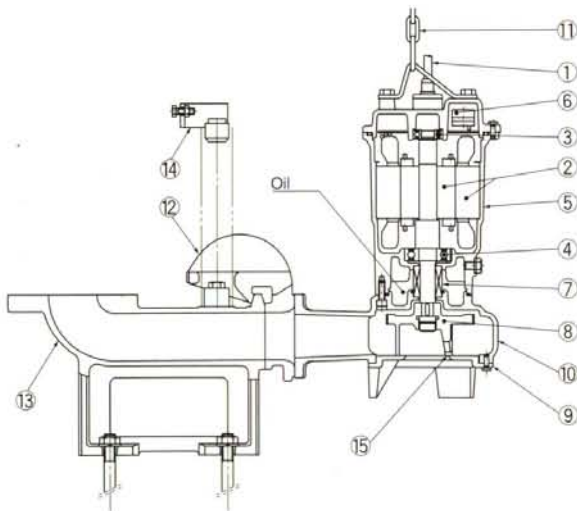
## Packing size

Model	Length mm	Width mm	Height mm	
CJ501	330	245	460	
CJ651	295	255	530	
CJ80	2.2kW	440	400	690
	3.7kW	470	430	720
CJ100	540	460	790	

		Model	Connection Part No.	Output kW	A	B	C	D	E	F
Automatic Connection	CJ501	P50	P65B	0.75	460	474	220	180	550	350
		547								
	CJ651	P65	P80	1.5	530	663	192	215	550	350
		739								
	CJ80	P65	P80B	2.2	580	754	292	220	600	500
						773				
		3.7		642	773	331	600		500	
		2.2		620	830	292				
					3.7	682	849		331	700
		2.2		620	843	292	600		500	
	3.7		682		862	331		700		600
	CJ100	P80B	P100B	5.5	710	907	355		260	
922										
7.5		745		922	387					
5.5		710		920	355	700	600			
7.5	745	935	387							

		Model	Connection Part No.	Output kW	A	B	C	D
Flange Connection	CJ501	F50	F65B	0.75	414	276	220	135
		371						
	CJ651	F65	F80	1.5	454	418	192	140
		433						
	CJ80	F65	F80	2.2	550	509	292	190
						3.7		
		2.2		550	524	292		
					3.7	612	543	
		2.2		550	541	292		
					3.7	612	560	
	CJ100	F80	F100	5.5	640	601	355	190
						7.5		
5.5		640		618	355			
				7.5	675	633	387	

## Sectional View



**\*Note**  
 VCT : Polyvinyl-chloride sheathed cable  
 SUS : Stainless steel  
 SS : Mild steel  
 FC : Gray iron casting  
 WC : Tungsten carbide  
 SCS : Stainless steel casting

No.	Part Name	Material
1	Cable	VCT
2	Motor	Shaft=SUS420J2
3	Ball Bearing(Upper)	-
4	Ball Bearing(Lower)	-
5	Stator Casing	FC200
6	Thermal Protector	-
7	Mechanical Seal	-
8	Impeller	FC200
9	Suction Cover	FC200
10	Pump Casing	FC200
11	Lifting Chain	SS400
12	Sliding Bracket	FC200
13	Connection	FC200
14	Guide Holder	SCS13 P50/P65B:SUS304 Others :SCS13
15	Cutting Tip	WC

Specifications and dimensions are subject to change without notice.

### ShinMaywa Industries, Ltd.

Overseas Sales Department 2-43, Shitte 3-chome, Tsurumi-ku, Yokohama-shi, 230-0003, Japan  
 Phone : +81-45-584-1321 Fax : +81-45-584-1320  
 E-mail : sales.info@sb.shinmaywa.co.jp

### ShinMaywa (America), Ltd.

10737 Gateway West, Suite 112,  
 El Paso, Texas 79935, U.S.A.  
 Phone : +1-915-594-9862  
 Fax : +1-915-594-9866  
 E-mail : info@shinmaywaamerica.com

### ShinMaywa (Bangkok) Co., Ltd.

105, Sukhumvit 57 Road, Klongton-Nua Sub-district,  
 Wattana District, Bangkok Metropolis 10110 Thailand  
 Phone : +66-2-382-1331  
 Fax : +66-2-392-2057  
 E-mail : Bangkok@sa.shinmaywa.co.jp

### ShinMaywa (Asia) Pte. Ltd.

51 Goldhill Plaza #14-01  
 Singapore 308900  
 Phone : +65-6224-0728  
 Fax : +65-6224-9678  
 E-mail : asia.ad@shinmaywa.com.sg

### ShinMaywa (Malaysia) Sdn. Bhd.

Suite 7.3, 7th Floor, Menara Aik Hua, Changkat  
 Raja Chulan, 50200 Kuala Lumpur, Malaysia  
 Phone : +60-3-2026-2388  
 Fax : +60-3-2026-2399  
 E-mail : info@shinmaywa.com.my

### ShinMaywa (Shanghai) Trading Co., Ltd.

Room3201, Shanghai Maxdo Centre,  
 No. 8 Xing Yi Road,  
 Hong Qiao Development Zone, Shanghai,  
 China 200336  
 Phone : +86-21-5208-1375  
 Fax : +86-21-5208-1379  
 E-mail : miura.t@sb.shinmaywa.co.jp



**ShinMaywa ONO PLANT**

ISO 9001 No. 956445 / ISO 14001 No. 7716881